



EBARA

ISO 9002
KEMA
CERT. NR. 98922
DUTCH COUNCIL FOR ACCREDITATION



CN 8001-5

HORIZONTAL SPLIT CASING PUMP

Model **CSA/CNA**

PT. LUKES INDONESIA

Lindeteves Trade Center Lt UG, Blok B1 No. 6
Jalan Hayam Wuruk, Jakarta - Indonesia
Phone : 021 - 6231 7842, 628 5144
Fax : 021 - 6231 0499
email : lukes@cbn.net.id



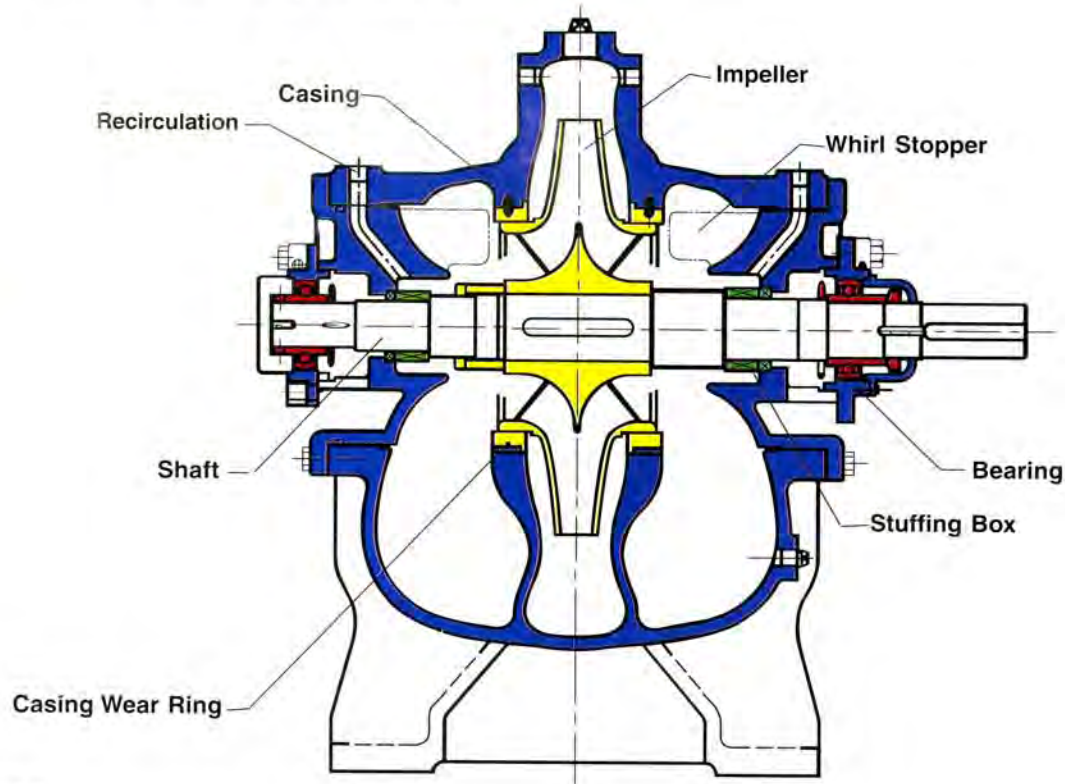
50Hz



HORIZONTAL SPLIT CASING PUMP

FEATURES

1. Very Compact design for ease of installation and permits minimum maintenance.
2. Axially split casing allows the easy removal of the top casing for inspection and service.
3. A wider range of performance with head up to 150m.
4. High speed drives and vertical mount available.
5. Anti-corrosion materials used on the rotating parts.
6. High quality sealed and cartridge type bearing units provide high durability.
7. High allowable working pressure can ensure stable running.
8. Mechanical seal for easy maintenance.



Casing

The rotating assembly can be removed without disturbing connected piping as the suction and discharge flanges are integrally casted into the lower casing half. Casing is **high pressure designed** and able to withstand against water surge.

Recirculation

Recirculation pipe lines for self-flushing are provided.

Impeller

The hydraulic matching of casing and impeller minimizes axial thrust and recirculation, ensuring **high efficiency, low NPSH required** and **quiet performance** over the entire range of operation. **Bronze material is standard.**

Whirl Stopper

The cast whirl stopper direct flow into the impeller eye for more even suction distribution. The gradually accelerated inlet flow has low tendency for velocity distortion, ensuring a **quiet operation.**

Shaft

Stainless steel material ensures long life against corrosion and wear. Short support span of bearing lengthen bearing life.

Casing Wear Ring

Replaceable bronze casing wear rings are locked to prevent rotation. It protects the pump casing from wear, permits simple maintenance of proper running clearances to reduce maintenance costs and maintain high operating efficiency.

Bearing

Replenishable grease lubricated deep-groove bearing units with low friction loss has a **long life** can be easily inspected and replaceable. **Auto alignment structure** absorbs shaft deflection.

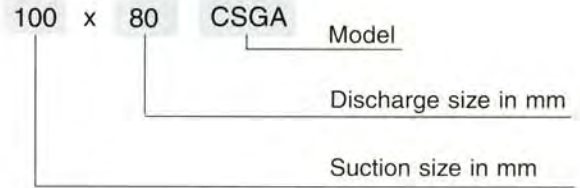
Stuffing Box

John Crane type mechanical seal is standard, easily obtainable in the market and replaceable without disturbing piping. Gland packing is available as option.

APPLICATIONS

1. Water supply.
2. Hot and cold water circulation.
3. Air conditioning.
4. Irrigation.
5. Industrial use.

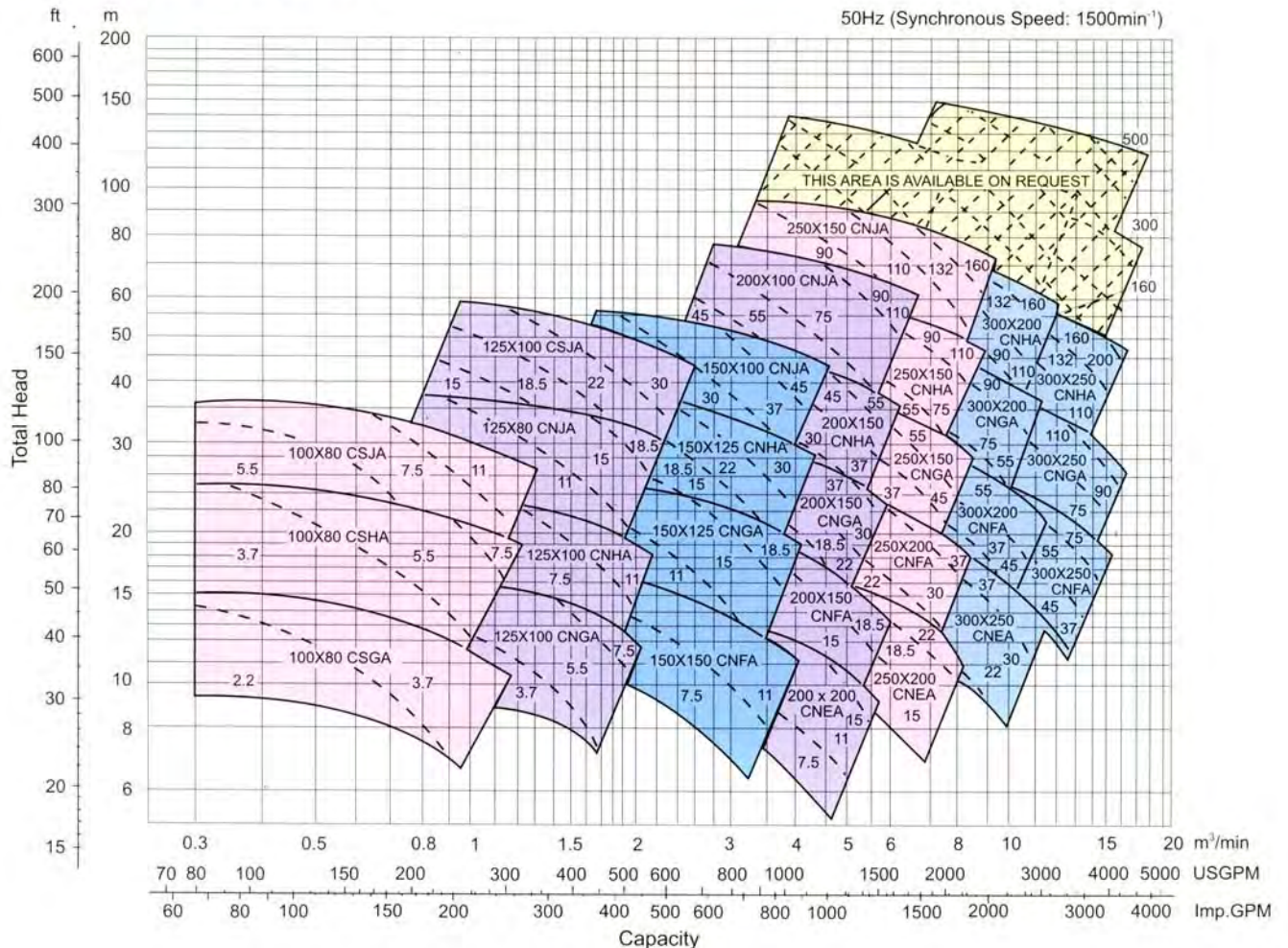
MODEL CODE



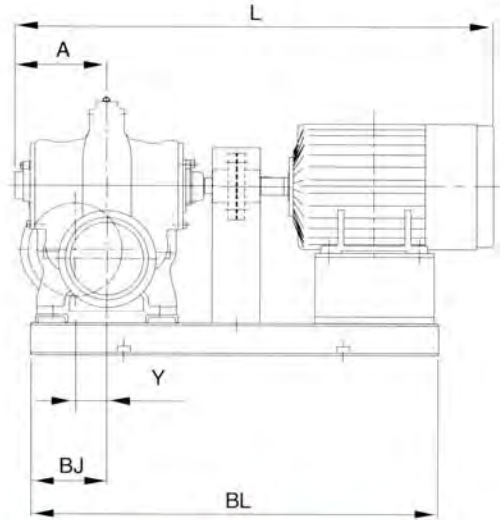
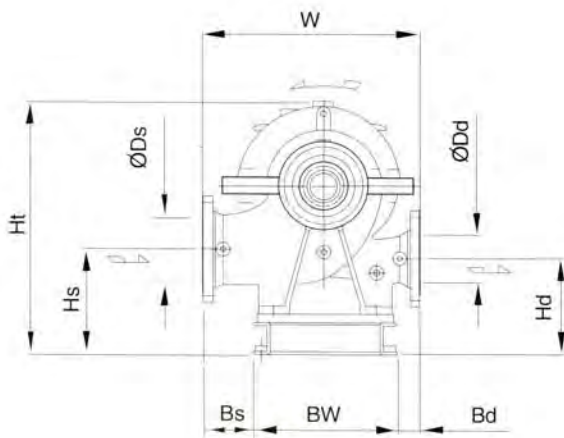
SPECIFICATION

Description		Standard		Option
Model		CSA, CNA		
Liquid Handled	Type of liquid	Clean Water, Industrial Water, River Water		
	Temperature	Below 80°C (176°F)		81°C-120°C (177°F-248°F) (only applicable for Mechanical Seal Models)
Max. Positive Suction Pressure		10 kgf/cm ²	2 kgf/cm ²	10 kgf/cm ²
Construction	Shaft seal	Mechanical Seal	Gland Packing	Mechanical Seal
	Bearing	Ball Bearing		
	Lubrication	Grease		
Material	Casing	Cast Iron		
	Impeller	Bronze		
	Shaft	SUS 316	SUS 403	SUS 304
	Shaft sleeve	Bronze		Bronze
Flange	Suction	JIS 16 KRF		
	Discharge	JIS 16 KRF		
Accessories				
Standard		Air vent piping, M. Seal or G. Packing, flushing water piping, Lift bolts. Drain piping (only applicable for G. Packing models)		
Optional		Common base, Anchor bolts, Shaft coupling, Coupling guard		

PERFORMANCE CHART



DIMENSION



Model	Motor		Pump						Common Base					Total				
	kW	Ds	Dd	A	Hs	Hd	Y	wt kg	Bs	Bd	BJ	BL	BW	wt kg	Ht	W	L	wt kg
100X80 CSGA	2.2	100	80	221	271	271	70	143	80	50	170	720	380	37	580	510	837	210
	3.7	100	80	221	271	271	70	143	80	50	170	730	380	37	580	510	856	222
100X80 CSHA	3.7	100	80	221	261	251	70	165	90	30	170	730	380	37	596	500	856	244
	5.5	100	80	221	261	251	70	165	90	30	170	770	380	38	596	500	920	268
100X80 CSJA	7.5	100	80	221	261	251	70	165	90	30	170	810	380	39	596	500	958	280
	5.5	100	80	221	251	231	70	200	90	40	170	770	380	38	613	510	920	303
	7.5	100	80	221	251	231	70	200	90	40	170	810	380	39	613	510	958	315
125X100 CSJA	11	100	80	221	251	231	70	200	90	40	170	890	380	43	613	510	1078	361
	15	125	100	247	291	261	80	280	125	55	235	1080	450	79	754	630	1220	498
	18.5	125	100	247	291	261	80	280	125	55	235	1080	450	89	754	630	1242	558
125X100 CNGA	22	125	100	247	291	261	80	280	125	55	235	1120	450	92	754	630	1280	575
	30	125	100	247	291	261	80	280	125	55	235	1160	450	96	754	630	1344	666
	3.7	125	100	231	261	261	-	209	100	60	170	830	380	39	592	540	966	290
125X100 CNHA	5.5	125	100	231	261	261	-	209	100	60	170	870	380	40	592	540	1030	314
	7.5	125	100	231	261	261	-	209	100	60	170	900	380	45	592	540	1068	1330
125X80 CNJA	7.5	125	100	231	261	251	-	242	110	60	170	900	380	45	606	550	1068	363
	11	125	100	231	261	251	-	242	110	60	170	990	380	56	606	550	1188	416
150X150 CNFA	11	125	80	231	261	221	-	250	130	50	190	1010	400	60	637	580	1188	428
	15	125	80	231	261	221	-	250	130	50	190	1050	400	62	637	580	1232	451
	18.5	125	80	231	261	221	-	250	130	50	190	1060	400	82	637	580	1251	521
150X150 CNHA	7.5	150	150	262	291	301	-	253	105	65	210	970	450	69	676	620	1119	398
	11	150	150	262	291	301	-	253	105	65	210	1050	450	73	676	620	1239	444
	150X125 CNGA	11	150	125	271	281	281	-	275	105	35	210	1070	450	77	695	590	1273
150X125 CNHA	15	150	125	271	281	281	-	275	105	35	210	1120	450	79	695	590	1317	493
	18.5	150	125	271	281	281	-	275	105	35	210	1130	450	86	695	590	1336	550
	18.5	150	125	262	281	261	-	270	125	55	210	1100	450	85	714	630	1302	544
150X100 CNJA	22	150	125	262	281	261	-	270	125	55	210	1140	450	87	714	630	1340	560
	30	150	125	262	281	261	-	270	100	30	210	1180	500	95	714	630	1404	655
	150X150 CNFA	30	150	100	271	316	266	-	330	155	65	235	1230	450	98	775	670	1438
200X200 CNEA	37	150	100	271	316	266	-	330	130	40	235	1260	500	106	775	670	1481	756
	45	150	100	271	316	266	-	330	130	40	235	1290	500	108	775	670	1506	793
	7.5	200	200	263	301	301	-	270	130	75	235	990	450	74	714	655	1120	420
200X150 CNFA	11	200	200	263	301	301	-	270	130	75	235	1070	450	78	714	655	1240	466
	15	200	200	263	301	301	-	270	130	75	235	1120	450	80	714	655	1284	489
	200X150 CNGA	15	200	150	263	301	301	-	280	130	60	235	1120	450	80	715	640	1284
200X150 CNHA	18.5	200	150	263	301	301	-	280	130	60	235	1130	450	91	715	640	1303	560
	18.5	200	150	263	291	281	-	310	130	60	235	1130	450	91	736	640	1303	590
	22	200	150	263	291	281	-	310	130	60	235	1160	450	93	736	640	1341	606
	30	200	150	263	291	281	-	310	105	35	235	1210	500	97	736	640	1405	697
200X150 CNHA	37	200	150	263	291	281	-	310	105	35	235	1240	500	105	736	640	1448	735
	30	200	150	282	306	276	-	355	150	70	235	1230	450	98	774	670	1449	743
	37	200	150	282	306	276	-	355	125	45	235	1260	500	106	774	670	1492	781
	45	200	150	282	306	276	-	355	125	45	235	1290	500	108	774	670	1517	818
	55	200	150	282	331	301	-	355	95	15	235	1310	560	143	799	670	1554	1018

Model	Motor	Pump							Common Base					Total				
	kW	Ds	Dd	A	Hs	Hd	Y	wt kg	Bs	Bd	BJ	BL	BW	wt kg	Ht	W	L	wt kg
200X100 CNJA	45	200	100	305	361	291	-	445	170	85	260	1370	500	117	870	755	1595	917
	55	200	100	305	386	316	-	445	140	55	260	1390	560	155	895	755	1632	1120
	75	200	100	305	386	316	-	445	140	55	260	1430	560	159	895	755	1670	1184
	90	200	100	305	386	316	-	445	100	15	260	1500	640	179	895	755	1766	1324
250X200 CNEA	15	250	200	273	331	331	-	360	145	65	260	1170	500	90	784	710	1319	589
	18.5	250	200	273	331	331	-	360	145	65	260	1180	500	103	784	710	1338	652
	22	250	200	273	331	331	-	360	145	65	260	1210	500	100	784	710	1376	663
250X200 CNFA	22	250	200	282	331	331	-	380	145	65	260	1210	500	107	788	710	1385	690
	30	250	200	282	331	331	-	380	145	65	260	1260	500	109	788	710	1449	779
	37	250	200	282	331	331	-	380	145	65	260	1290	500	114	788	710	1492	814
250X150 CNGA	37	250	150	282	341	321	-	415	145	65	260	1290	500	114	837	710	1492	849
	45	250	150	282	341	321	-	415	145	65	260	1310	500	115	837	710	1517	885
	55	250	150	282	366	346	-	415	115	35	260	1330	560	153	862	710	1554	1088
250X150 CNHA	55	250	150	315	366	326	-	500	150	45	260	1390	560	155	885	755	1642	1175
	75	250	150	315	366	326	-	500	150	45	260	1430	560	159	885	755	1680	1239
	90	250	150	315	366	326	-	500	110	5	260	1500	640	179	885	755	1776	1379
250X150 CNJA	75	250	150	350	416	336	-	605	180	65	295	1520	580	172	982	825	1765	1357
	90	250	150	350	416	336	-	605	150	35	295	1580	640	184	982	825	1861	1489
	110	250	150	350	416	336	-	605	150	35	295	1640	640	188	982	825	1912	1593
	132	250	150	350	416	336	-	605	150	35	295	1650	640	215	982	825	1960	1850
	160	250	150	350	416	336	-	605	150	35	295	1700	640	220	982	825	2011	2045
300X250 CNEA	22	300	250	302	381	381	-	435	145	55	295	1270	600	141	890	800	1425	779
	30	300	250	302	381	381	-	435	145	55	295	1310	600	144	890	800	1489	869
	37	300	250	302	381	381	-	435	145	55	295	1340	600	149	890	800	1532	904
300X200 CNFA	37	300	200	315	381	381	-	490	145	55	295	1370	600	160	896	800	1580	970
	45	300	200	315	381	381	-	490	145	55	295	1400	600	162	896	800	1605	1007
	55	300	200	315	381	381	-	490	145	55	295	1420	600	167	896	800	1642	1177
300X200 CNGA	55	300	200	315	386	366	-	520	125	35	295	1440	640	167	936	800	1662	1207
	75	300	200	315	386	366	-	520	125	35	295	1480	640	171	936	800	1770	1271
	90	300	200	315	386	366	-	520	125	35	295	1550	640	183	936	800	1796	1403
300X200 CNHA	90	300	200	350	386	346	-	625	145	45	295	1580	640	184	968	830	1861	1509
	110	300	200	350	386	346	-	625	145	45	295	1640	640	188	968	830	1912	1613
	132	300	200	350	386	346	-	625	145	45	295	1650	640	215	968	830	1960	1870
	160	300	200	350	386	346	-	625	145	45	295	1700	640	220	968	830	2011	2065
300X250 CNFA	37	300	250	335	386	376	-	570	195	105	295	1400	600	160	942	900	1620	1050
	45	300	250	335	386	376	-	570	195	105	295	1410	600	162	942	900	1645	1087
	55	300	250	335	386	376	-	570	175	85	295	1440	640	167	942	900	1682	1257
	75	300	250	335	386	376	-	570	175	85	295	1480	640	171	942	900	1720	1321
300X250 CNGA	75	300	250	360	386	376	-	620	205	115	295	1520	580	172	949	900	1775	1372
	90	300	250	360	386	376	-	620	175	85	295	1580	640	184	949	900	1871	1504
	110	300	250	360	386	376	-	620	175	85	295	1640	640	188	949	900	1922	1608
300X250 CNHA	110	300	250	360	386	366	-	815	175	85	295	1640	640	189	998	900	1922	1804
	132	300	250	360	386	366	-	815	175	85	295	1650	640	216	998	900	1970	2061
	160	300	250	360	386	366	-	815	175	85	295	1700	640	221	998	900	2021	2256

Note : (1) All dimensions indicated are for reference only.
Please request approval drawing for detail.

(2) 2-pole drive and 60 Hz application are available upon request.
Please check with our local representative office.

PT. LUKES INDONESIA

Lindeteves Trade Center Lt UG, Blok B1 No. 6
Jalan Hayam Wuruk, Jakarta - Indonesia
Phone : 021 - 6231 7842, 628 5144
Fax : 021 - 6231 0499
email : lukes@cbn.net.id

